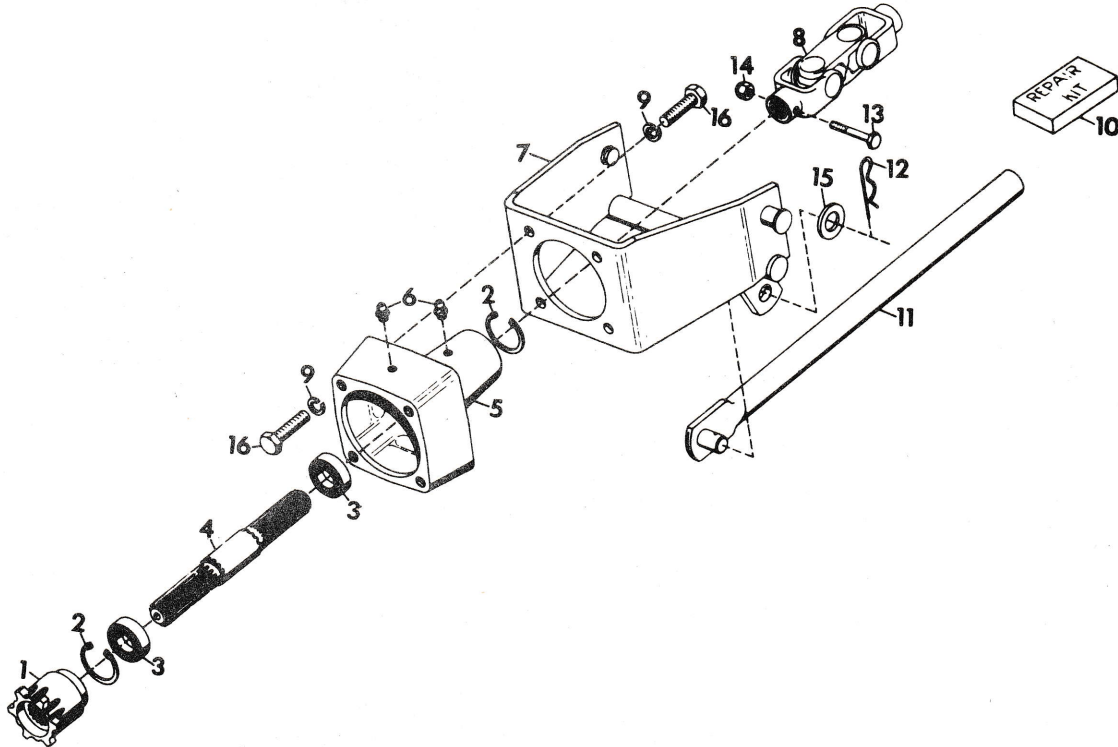


NAME: FRONT ADAPTER KIT

PART NUMBER(S): 21339



<u>ITEM NO.</u>	<u>PART NO.</u>	<u>DESCRIPTION</u>
1.	21343P1	Dog, Attachment
2.	19073P1	Ring, Retaining; 2.062 Bore
3.	19072P1	Bearing, Ball; .984 x 2.047 x .590
4.	21342P1	Shaft, Front Adaptor
5.	21341P1	Housing, Adaptor
6.	9411027	Fitting, Lube; 1/4-28
7.	11609A1	Adapter, Weldment
8.	11967A1	Double Joint Assembly
9.	120384	Washer, Lock; 1/2 SP
10.	12134A1	Kit, Repair Universal Joint Rockwell Std.
	20573A1	Kit, Repair Universal Joint Neapco 1605X
11.	11607A1	Rod, Push Weldment
12.	10405P1	Cotter, Hair Pin
13.	180044	Bolt, Hex; 1/4-20 x 2
14.	9419454	Nut, Lock; 1/4-20 Washer Insert
15.	131017	Washer, Flat; 13/16 x 1 15/32 x .134
16.	180177	Bolt, Hex; 1/2-13 x 1 1/2

To continue its program of quality and design improvement, the manufacturer reserves the right to change specifications, designs and prices without notice and without incurring obligation